

FIG. 8 CARBURETOR (GT750L,M,A & B)

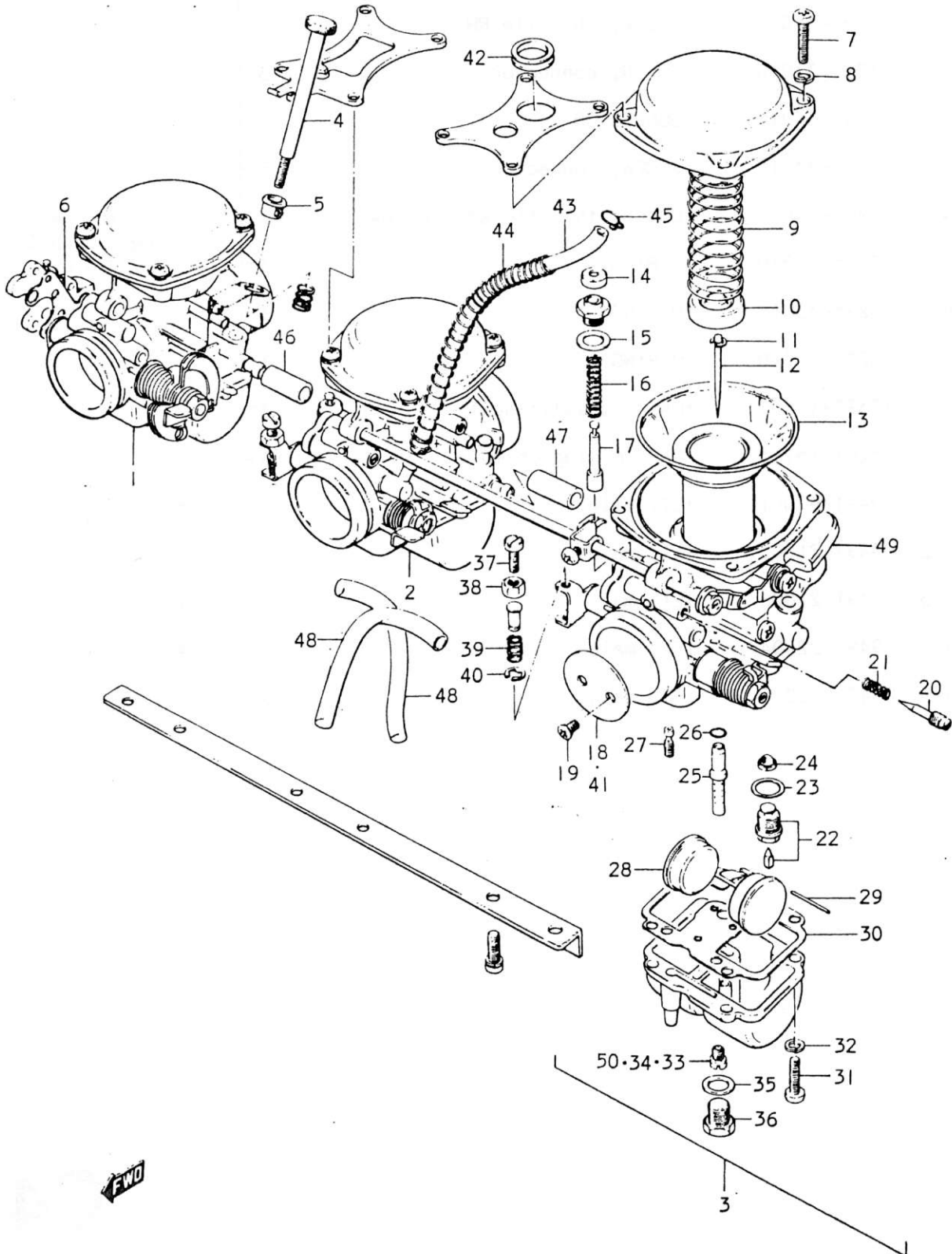


FIG.8 CARBURETOR (GT750L,M,A & B)

Ref.No.	Part No.	Description	Q'ty				Remarks
			L	M	A	B	
	13200-31210	CARBURETOR ASSY	1	-	-	-	to 13200-31211 Includes Ref.No. 1, 2, 3
	13200-31621	CARBURETOR ASSY	-	1	1	-	to 13200-31622
	13200-31622	CARBURETOR ASSY	-	-	-	1	
1-1	13201-31210	CARBURETOR, RH	1	-	-	-	to 13201-31211
1-2	13201-31621	CARBURETOR, RH	-	1	1	1	
2-1	13202-31210	CARBURETOR, Middle	1	-	-	-	to 13202-31211
2-2	13202-31621	CARBURETOR, Middle	-	1	1	1	
3-1	13203-31210	CARBURETOR, LH	1	-	-	-	to 13203-31211
3-2	13203-31621	CARBURETOR, LH	-	1	1	1	
4	13267-31210	ADJUSTER, throttle	1	1	1	1	
5	13276-31210	BUSH	1	1	1	1	
6	13436-31210	GASKET	3	3	3	3	
7	02111-05207	SCREW	12	12	12	12	
8	08321-21058	LOCK WASHER	12	12	12	12	
9	13503-31210	SPRING	3	3	3	3	
10	13398-31210	PLATE, needle	3	3	3	3	
11	13394-31210	E RING	3	3	3	3	
12	13383-31210	NEEDLE, jet	3	3	3	3	4DN18-3
13	13500-31210	DIAPHRAGM ASSY	3	3	3	3	
14	13682-31210	CAP, starter valve	3	3	3	3	
15	13419-31210	GASKET, starter valve	3	3	3	3	
16-1	13417-08210	SPRING, starter valve	3	-	-	-	
16-2	13417-20010	SPRING, starter valve	-	3	3	3	to 13417-18630
16-3	13417-18630	SPRING, starter valve	-	3	3	3	
17	13411-31210	PLUNGER, starter valve	3	3	3	3	
18	13551-31210	VALVE, throttle	3	3	-	-	#120
19	02111-03087	SCREW	6	6	6	6	

C5

FIG.8 CARBURETOR (GT750L,M,A & B)

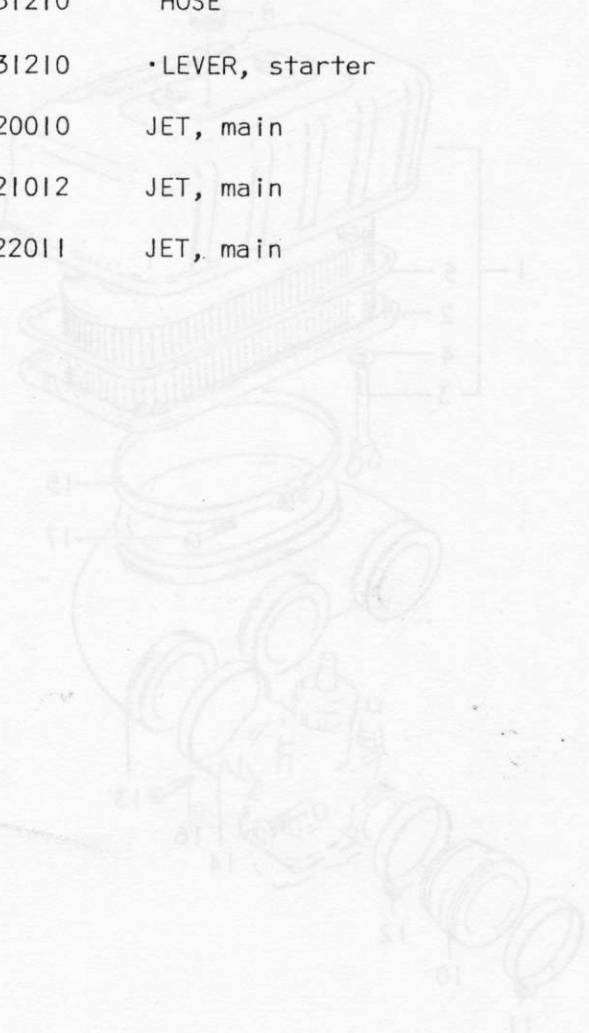
Ref.No.	Part No.	Description	Q'ty				Remarks
			L	M	A	B	
20	13269-31210	••SCREW, pilot air	3	3	3	3	
21	13268-01010	••SPRING	3	3	3	3	
22	13372-31210	••VALVE, needle	3	3	3	3	
23	13392-16600	••WASHER, needle valve	3	3	3	3	
24	13376-65010	••FILTER	3	3	3	3	
25	09494-00141	••JET, needle	3	3	3	3	Z-0
26	13295-31210	••O RING	3	3	3	3	
27-1	09492-47005	••JET, pilot	3	-	-	-	#47.5
27-2	09492-45012	••JET, pilot	-	3	3	3	#45
28	13252-31210	••FLOAT	3	3	3	3	
29-1	13254-11010	••PIN, float	3	3	3	-	
29-2	13254-35013	••PIN, float	-	-	-	3	
30	13251-31210	••GASKET, float chamber	3	3	3	3	
31	02111-04127	••SCREW	12	12	12	12	
32	08321-21048	••LOCK WASHER	12	12	12	12	
33	09491-21011	••JET, main	1	1	1	1	#107.5
34	09491-22010	••JET, reverse main	2	2	2	2	#110
35	13249-31210	••WASHER	3	3	3	3	
36	13247-31210	••SCREW, plug	3	3	3	3	
37	13267-31600	••SCREW, throttle stop	2	2	2	2	
38	13607-31610	••NUT	2	2	2	-	~F.No.66007
39	13268-31210	••SPRING, throttle stop screw	3	3	3	5	
40	13617-31210	••E RING	3	3	3	2	
41	13551-31600	••VALVE, throttle	-	-	3	3	#110

C6

FIG.8 CARBURETOR (GT750L,M,A & B)

Ref.No.	Part No.	Description	Q'ty				Remarks
			L	M	A	B	
42	13625-33110	*CAP	1	1	1	1	
43	13683-31610	*HOSE	1	1	1	1	
44	13689-31210	*SPRING	1	-	-	-	
45	13671-33600	*CLIP	2	2	2	-	
46	13683-31600	*HOSE	1	1	1	1	
47	13683-31210	*HOSE	1	1	1	1	
48	13686-31210	*HOSE	3	3	3	3	
49	13413-31210	*LEVER, starter	1	1	1	1	
50-1	09491-20010	JET, main	3	3	3	3	#100
50-2	09491-21012	JET, main	3	3	3	3	#105
30-3	09491-22011	JET, main	3	3	3	3	#112.5

OPT



C7