

FIG. 3 COVER

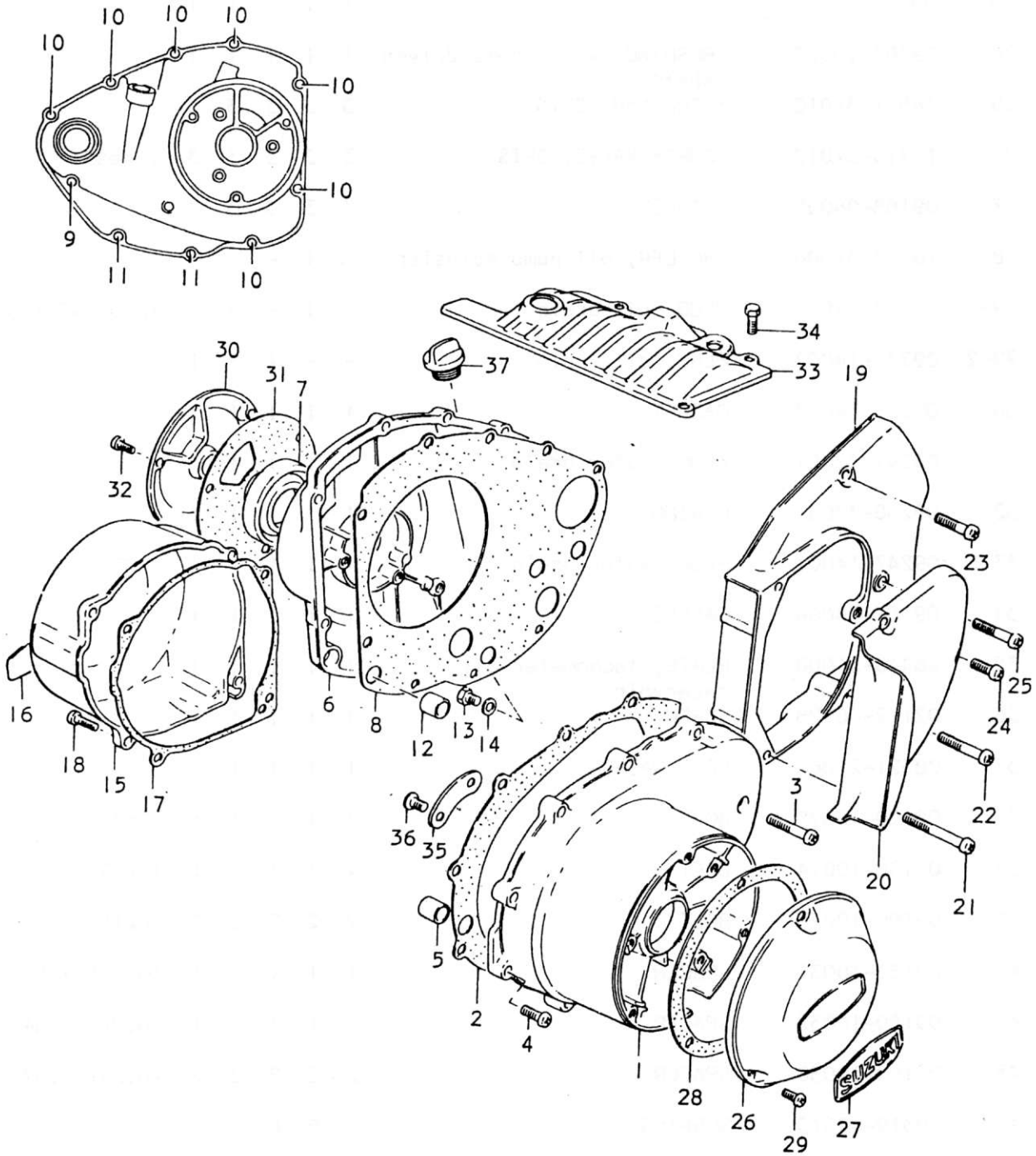


FIG.3 COVER

FIG.3 COVER

Ref.No.	Part No.	Description	Q'ty					Remarks
			K	L	M	A	B	
1	11331-31001	COVER, starter gear	1	1	1	1	1	
2	11485-31000	GASKET, starter gear cover	1	1	1	1	1	
3	02112-06408	SCREW	3	3	3	3	3	
4	02112-06258	SCREW	7	7	7	7	7	
5	09206-13001	PIN	2	2	2	2	2	
6-1	11341-31000	COVER, clutch	1	1	-	-	-	to 11341-31001
6-2	11341-31001	COVER, clutch	-	-	1	1	1	
7	09285-25002	OIL SEAL	1	1	1	1	1	F.No.18527~
8	11482-31000	GASKET, clutch cover	1	1	1	1	1	
9	02112-06458	SCREW	1	1	1	1	1	
10	02112-06258	SCREW	7	7	7	7	7	
11	02112-06208	SCREW	2	2	2	2	2	
12	09206-13001	PIN	2	2	2	2	2	
13	09128-06004	PLUG, oil level	1	1	1	1	1	
14	09168-06001	GASKET	1	1	1	1	1	
15	11300-31860	COVER, generator	1	1	1	1	1	from 11300-31840
16	68233-31000	EMBLEM	1	1	1	1	1	
17	11483-31000	GASKET	1	1	1	1	1	
18	02111-05207	SCREW	4	4	4	4	4	
19	11361-31000	COVER, engine sprocket inner	1	1	1	1	1	
20	11371-31000	COVER, engine sprocket outer	1	1	1	1	1	
21	02112-06557	SCREW	2	2	2	2	2	
22	02112-06458	SCREW	1	1	1	1	1	
23	02112-06307	SCREW	1	1	1	1	1	
24	02112-06208	SCREW	1	1	1	1	1	
25	02112-06358	SCREW	1	1	1	1	1	

**B7**

FIG.3 COVER

320H .2.1.R.2 4.917

Ref.No.	Part No.	Description	Q'ty					Remarks
			K	L	M	A	B	
26	11300-31830	CAP, contact braker	1	1	1	1	1	
27	68233-31000	*EMBLEM	1	1	1	1	1	
28	11491-31001	GASKET	1	1	1	1	1	
29	02111-05087	SCREW	3	3	3	3	3	
30	11387-31000	CAP, clutch adjusting	1	1	1	1	1	
31	11495-31000	GASKET	1	1	1	1	1	
32	02112-05168	SCREW	3	3	3	3	3	
33	11440-31001	COVER, starter motor	1	1	1	1	1	See Note 1
34	01111-05128	BOLT	4	4	4	4	4	
35	12521-31000	PLATE, oil reservoir	1	1	1	1	1	from 12561-31000
36	02122-06108	SCREW	2	2	2	2	2	
37-1	09259-20003	PLUG, oil filler	1	1	-	-	-	
37-2	09259-19001	PLUG, oil filler	-	-	1	1	-	
37-3	09259-19001	PLUG, oil filler	-	-	-	-	1	

NOTE 1 : When installing new motor cover, 11440-31001 on to old models, it is necessary to install grommet, 09308-04004 at the same time.

**B8**