

FIG. 20 CLUTCH

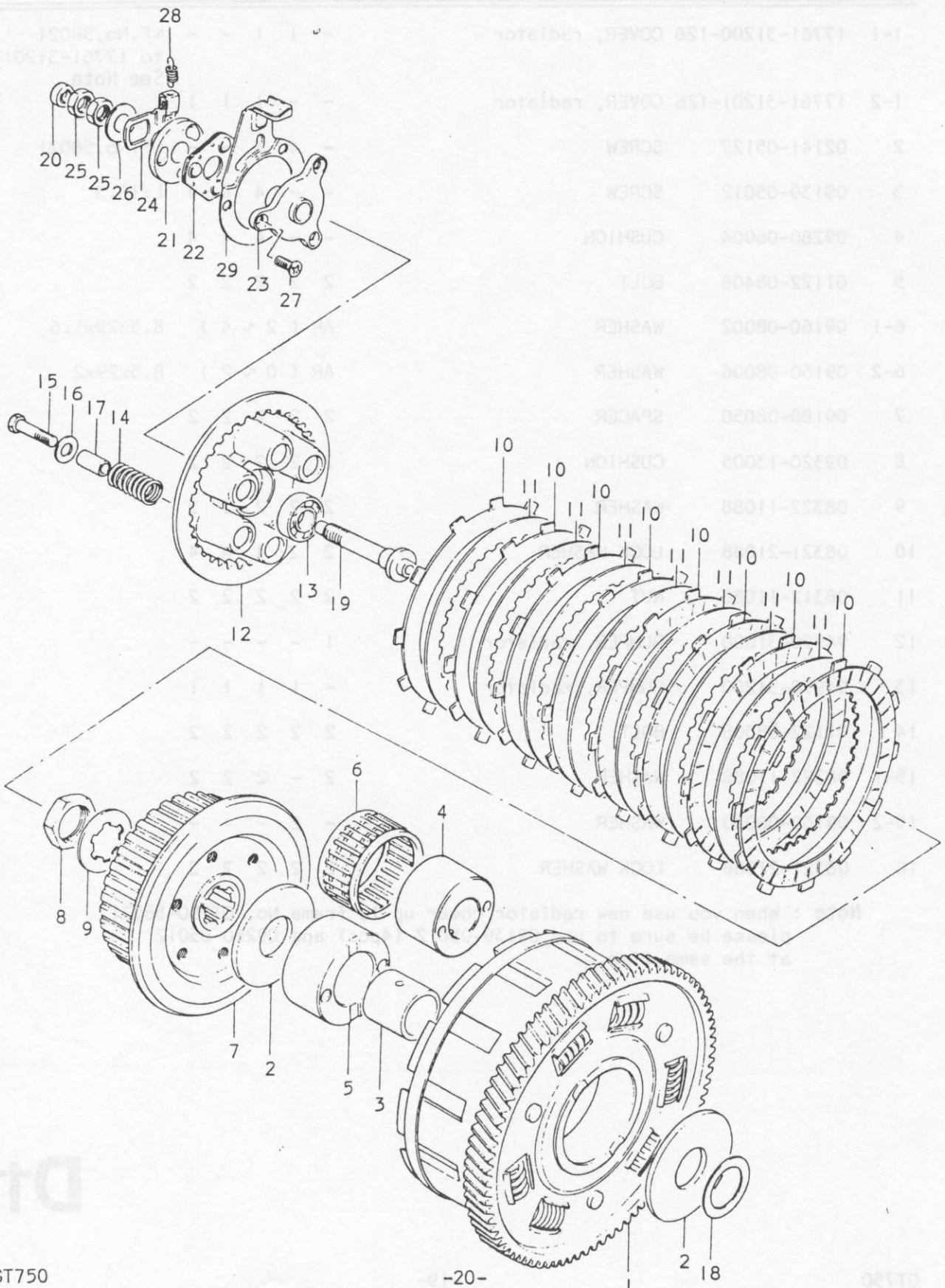


FIG.20 CLUTCH

Ref.No.	Part No.	Description	Q'ty					Remarks
			K	L	M	A	B	
1-1	21200-31000	GEAR ASSY, primary driven	1	1	1	-	-	NT:82 to 21200-31001
1-2	21200-31001	GEAR ASSY, primary driven	-	-	-	1	-	NT:82 ~F.No.67889 to 21200-31002
1-3	21200-31002	GEAR ASSY, primary driven	-	-	-	-	1	NT:82
2-1	09160-25014	WASHER	2	2	2	2	2	25x64x3.5 to 09160-25020
2-2	09160-25020	WASHER	2	2	2	2	2	
3	09180-25034	SPACER	1	1	-	-	-	25x31x28
4	21251-31600	SPACER	-	-	1	1	1	
5	21250-31000	BUSHING, driven gear	1	1	-	-	-	to 09263-51001 with 21251-31600
6	09263-51001	BEARING	-	-	1	1	1	
7	21411-31000	HUB, sleeve	1	1	1	1	1	
8	09140-24004	NUT	1	1	1	1	1	
9	09167-25007	WASHER	1	1	1	1	1	21.5x42x0.8
10-1	21441-31000	PLATE, drive	8	8	-	-	-	to 21441-31600
10-2	21441-31600	PLATE, drive	-	-	8	8	8	
11	21451-31000	PLATE, driven	7	7	7	7	7	
12	21462-31000	DISK, pressure	1	1	1	1	1	
13	08113-60030	BEARING	1	1	1	1	1	
14	09440-19007	SPRING	6	6	6	6	6	
15	01122-08408	BOLT	6	6	6	6	6	
16-1	08322-21088	WASHER	6	6	-	-	-	8.2x20x1.6
16-2	09160-08010	WASHER	-	-	6	6	6	
17	09180-08025	SPACER	6	6	6	6	6	8x12x23.2
18	08221-25365	SHIM	1	1	1	1	1	
19	23121-31000	SHAFT, release	1	1	1	1	1	
20	09282-10003	OIL SEAL	1	1	1	1	1	

E2

FIG.20 CLUTCH

Ref.No.	Part No.	Description	Q'ty					Remarks
			K	L	M	A	B	
21-1	23211-31000	BALL GUIDE, release outer	1	1	-	-	-	to 23211-31001
21-2	23211-31001	BALL GUIDE, release outer.	-	-	1	1	1	
22	23250-31001	BALL, release	1	1	1	1	1	
23-1	23231-31000	BALL GUISE, release inner	1	1	-	-	-	to 23231-31001
23-2	23231-31001	BALL GUIDE, release inner	-	-	1	1	1	
24-1	23220-31001	ARM, release	1	1	-	-	-	
24-2	23220-31002	ARM, release	-	-	1	1	1	
25-1	08312-31128	NUT	2	1	1	1	1	
25-2	09140-12016	NUT	-	1	1	1	1	
26	09160-12013	WASHER	1	1	1	1	1	12.2x24x1
27	02122-06208	SCREW	3	3	3	3	3	
28	09443-08001	SPRING	1	1	1	1	1	
29	23510-31000	PLATE, oil reservoir	1	1	1	1	1	

E3