

FIG.2 CRANKCASE

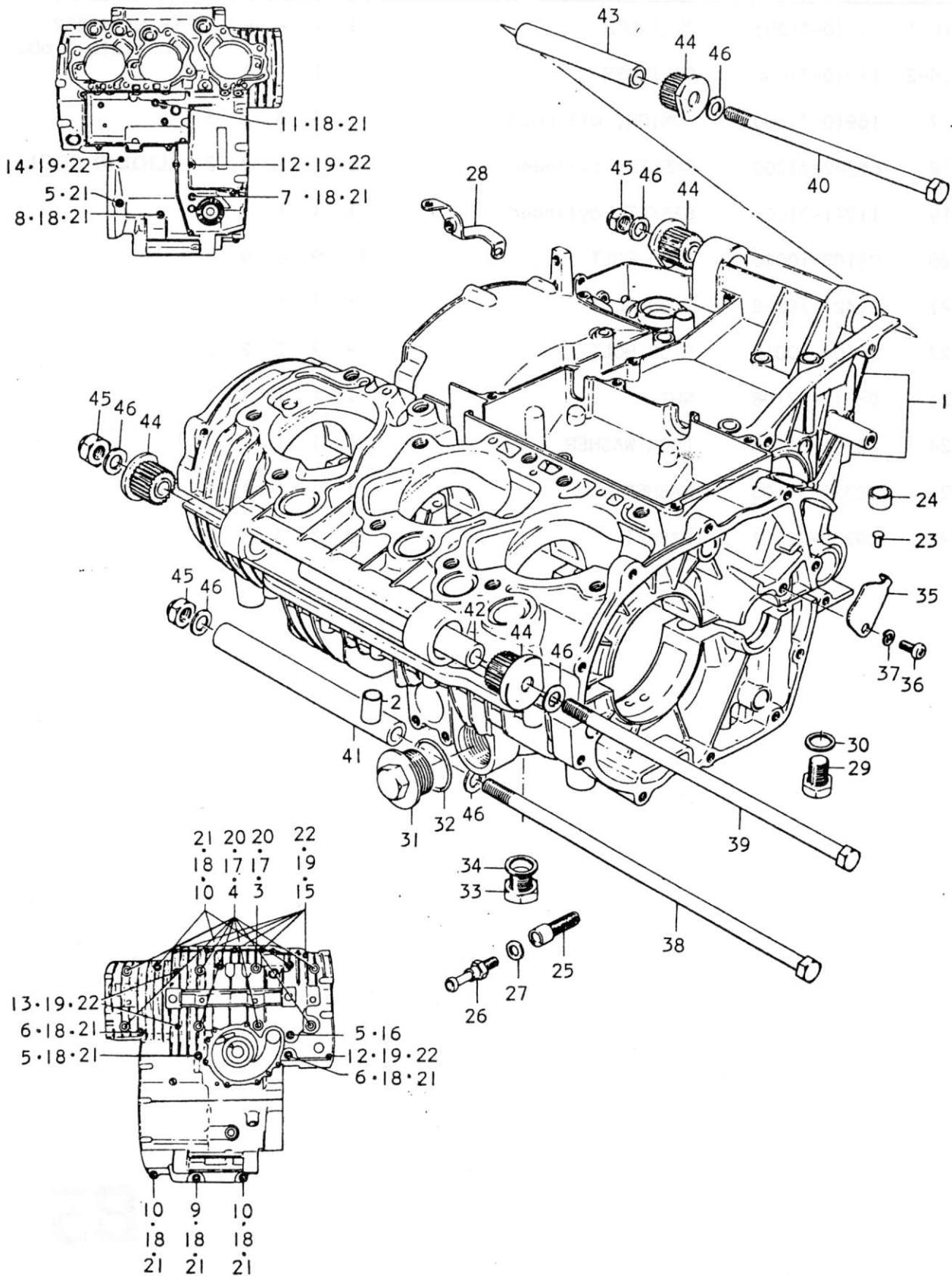


FIG.2 CRANKCASE

Ref.No.	Part No.	Description	Q'ty					Remarks
			K	L	M	A	B	
1-1	11304-31802	CRANKCASE SET	1	-	-	-	-	to 11300-31846
1-2	11300-31846	CRANKCASE SET	-	1	-	-	-	to 11300-31850 See Note 1
1-3	11300-31850	CRANKCASE SET	-	-	1	-	-	to 11300-31851 See Note 2
1-4	11300-31851	CRANKCASE SET	-	-	-	1	-	to 11300-31852 See Note 3
1-5	11300-31852	CRANKCASE SET	-	-	-	-	1	
2	09206-13001	*PIN	2	2	2	2	2	
3	09100-10070	*BOLT	1	1	1	1	1	10x130
4	09100-10035	*BOLT	7	7	7	7	7	10x100
5	09100-08026	*BOLT	3	3	3	3	3	8x110
6	01122-08958	*BOLT	2	2	2	2	2	
7	01122-08858	*BOLT	1	1	1	1	1	
8	01122-08758	*BOLT	1	1	1	1	1	
9	01122-08608	*BOLT	1	1	1	1	1	
10	01122-08508	*BOLT	5	5	5	5	5	
11	01122-08408	*BOLT	1	1	1	1	1	
12	09100-06060	*BOLT	2	2	2	2	2	6x110
13	01112-06958	*BOLT	2	2	2	2	2	
14	01112-06858	*BOLT	1	1	1	1	1	
15	01112-06358	*BOLT	6	6	6	6	6	
16	09168-08008	*GASKET	1	1	1	1	1	8.2x14x1.0
17	08322-11108	*WASHER	8	8	8	8	8	
18	08322-11088	*WASHER	13	13	13	13	13	
19	08322-21068	*WASHER	11	11	11	11	11	
20	08321-21108	*LOCK WASHER	8	8	8	8	8	

NOTE 1 : The crankcase set includes 1st driven gear, 2nd driven gear and kick drive gear (1) piece each.

NOTE 2 : When you use 11300-31851 up to frame No.GT750-64171, please be sure to use 09263-16012 and 09284-16002 at the same time.            bearing            oil seal

NOTE 3 : When installing new crankcase set, 11300-31852 on to old models, it is necessary to install it together with 24221-37000 (1piece).

**B4**

FIG.2 CRANKCASE

Ref.No.	Part No.	Description	Q'ty					Remarks
			K	L	M	A	B	
21	08321-21088	•LOCK WASHER	13	13	13	13	13	
22	08321-21068	•LOCK WASHER	11	11	11	11	11	
23	09220-04001	•RIVET	1	1	1	1	1	
24	09304-10003	•BUSHING, water pump driven shaft	1	1	1	1	1	
25	16521-31010	•STRAINER, SRIS	3	3	3	3	3	
26	16710-31012	•CHECK VALVE, SRIS	3	3	3	3	3	Threaded
27	09168-08008	•GASKET	3	3	3	3	3	
28	16293-31000	•HOLDER, oil pump adjuster	1	1	-	-	-	
29-1	09247-14010	PLUG, oil drain	1	1	-	-	-	to 09247-14007
29-2	09247-14007	PLUG, oil drain	-	-	1	1	1	
30	09168-14004	GASKET	1	1	1	1	1	
31	09247-32001	PLUG, water drain	1	1	1	1	1	
32	09280-33001	O RING	1	1	1	1	1	
33	09247-14001	PLUG, water drain	1	1	1	1	1	
34	09168-14004	GASKET	1	1	1	1	1	
35	26448-31000	PLATE, tachometer oil reservoir	1	1	1	1	1	
36	02112-06128	SCREW	1	1	1	1	1	
37	08321-21068	LOCK WASHER	1	1	1	1	1	
38	09100-10075	BOLT	1	1	1	1	1	10x310
39	09100-10074	BOLT	1	1	1	1	1	10x270
40	09100-10073	BOLT	2	2	2	2	2	10x185
41	09180-10031	SPACER	1	1	1	1	1	10.2x16x182
42	09180-10032	SPACER	1	1	1	1	1	10.2x16x164
43	09180-10030	SPACER	2	2	2	2	2	10.2x16x107
44	09319-10015	BUSHING	8	8	8	8	8	
45	09159-10011	NUT	4	4	4	4	4	from 09159-10001
46	08322-11108	WASHER	8	8	8	8	8	

**B5**