

FIG. 19 RADIATOR COVER

FIG. 18 RADIATOR

Part No.	Part No.	Description	Q'ty	Remarks
----------	----------	-------------	------	---------

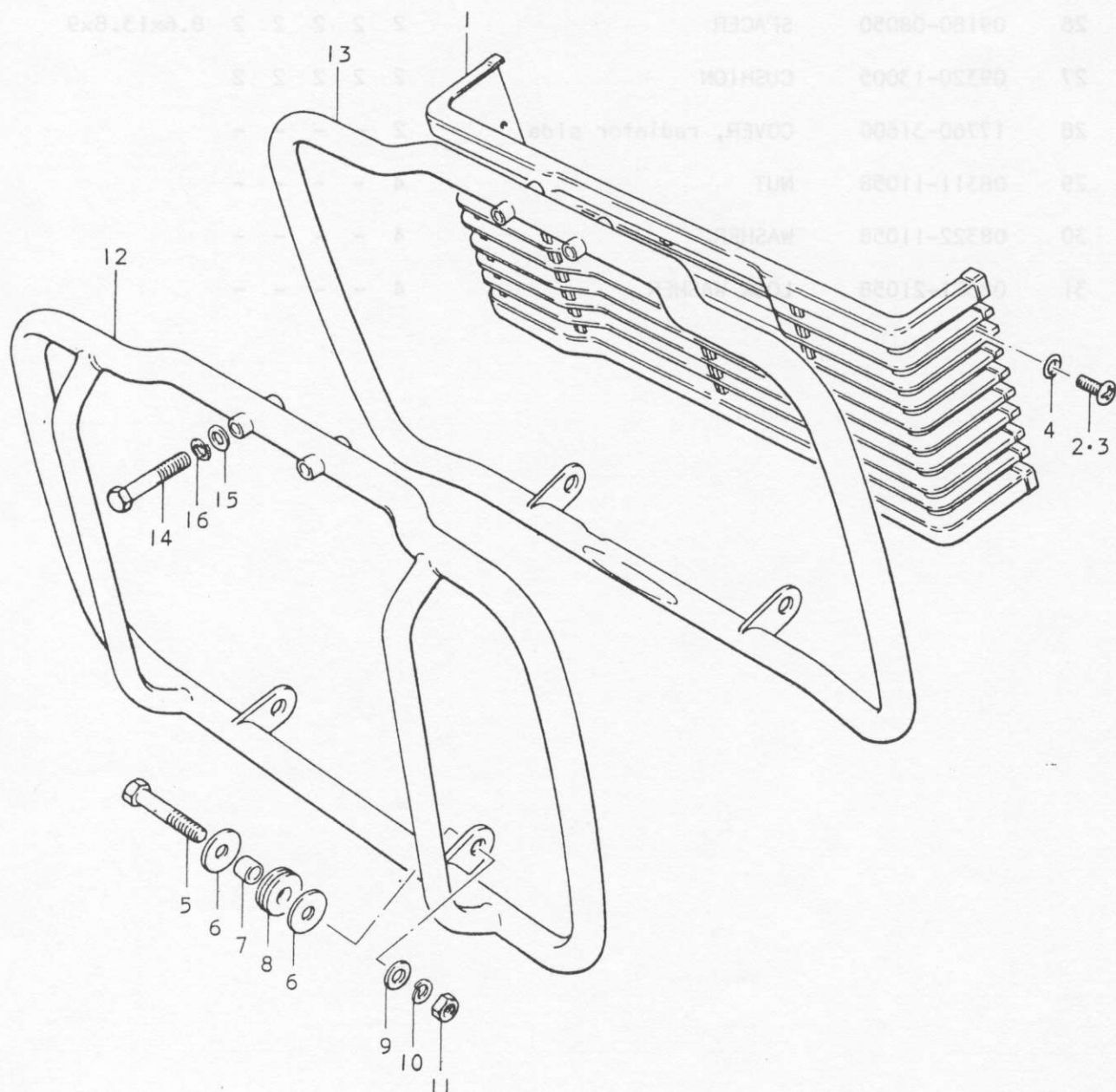


FIG.19 RADIATOR COVER

Ref.No.	Part No.	Description	Q'ty					Remarks
			K	L	M	A	B	
1-1	17761-31200-126	COVER, radiator	-	1	1	-	-	~F.No.58021 to 17761-31201-126 See Note
1-2	17761-31201-126	COVER, radiator	-	-	1	1	1	
2	02141-05127	SCREW	-	4	4	-	-	~F.No.58021
3	09139-05012	SCREW	-	-	4	4	4	L:16.3
4	09280-06004	CUSHION	-	-	4	4	4	
5	01122-08408	BOLT	2	2	2	2	2	
6-1	09160-08002	WASHER	AR	(2 ~ 4)				8.5x29x1.6
6-2	09160-08006	WASHER	AR	(0 ~ 2)				8.5x29x2
7	09180-08050	SPACER	2	2	2	2	2	
8	09320-13005	CUSHION	2	2	2	2	2	
9	08322-11088	WASHER	2	2	2	2	2	
10	08321-21088	LOCK WASHER	2	2	4	4	4	
11	08312-11088	NUT	2	2	2	2	2	
12	94970-31000	BUMPER, radiator	1	-	-	-	-	
13	94970-31200	BUMPER, radiator	-	1	1	1	1	
14	01122-08508	BOLT	2	2	2	2	2	
15-1	08322-11088	WASHER	2	-	2	2	2	
15-2	09160-08030	WASHER	-	2	-	-	-	
16	08321-21088	LOCK WASHER	2	2	2	2	2	

Note : When you use new radiator cover up to frame No. GT750-58021, please be sure to use 09139-05012 (4pcs) and 09280-05012 at the same time.

D11