

FIG. 18 RADIATOR

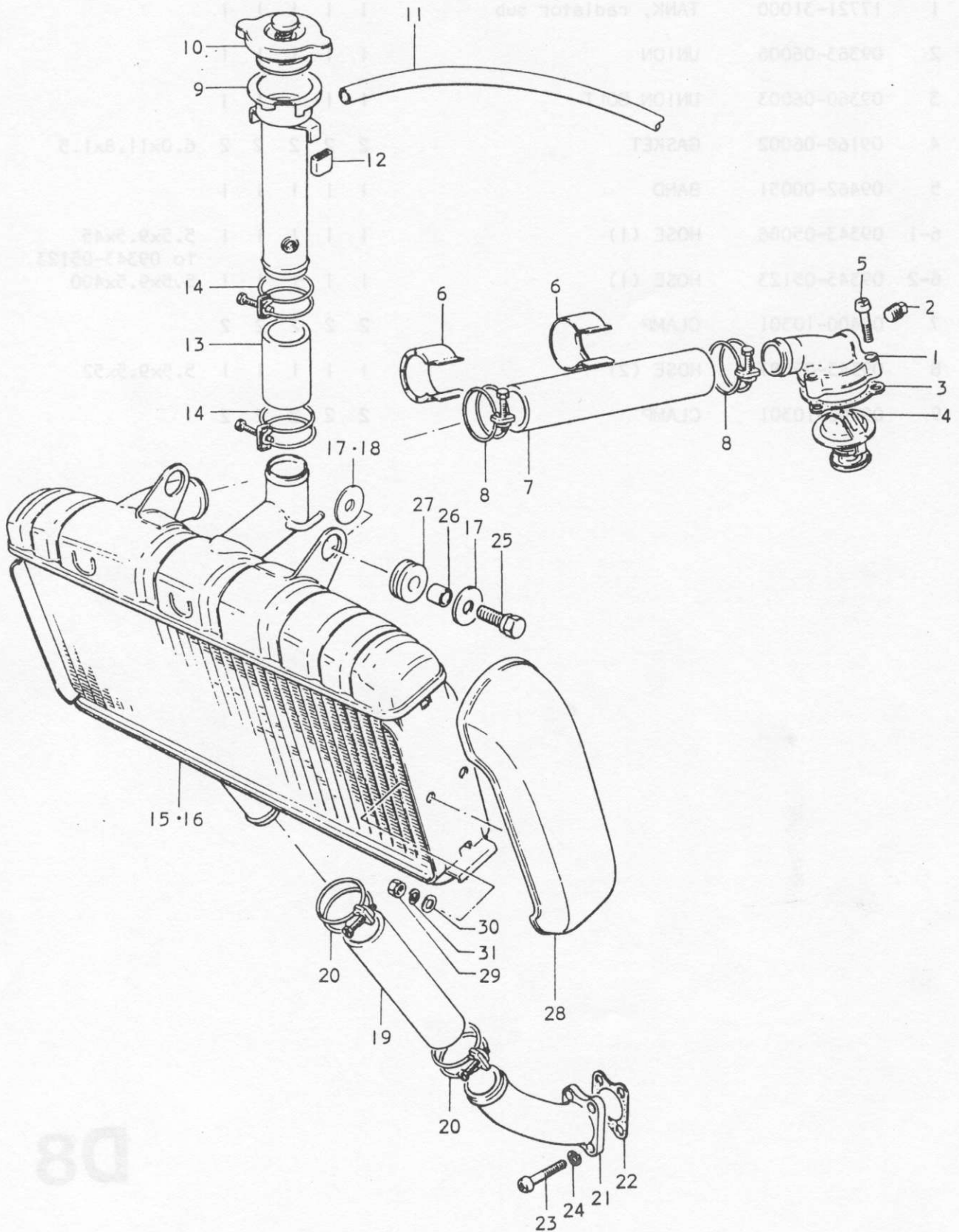


FIG.18 RADIATOR

Ref.No.	Part No.	Description	Q'ty					Remarks
			K	L	M	A	B	
1	17661-31002	COVER, thermostat	1	1	1	1	1	from 17661-31000
2	09246-16001	PLUG	-	1	1	1	1	
3	17668-31000	GASKET, thermostat cover	1	1	1	1	1	
4	17670-65020	THERMOSTAT, water	1	1	1	1	1	
5	02112-06307	SCREW	3	3	3	3	3	
6	17856-31000	COVER, radiator hose	2	2	1	1	1	
7	09343-31001	HOSE	1	1	1	1	1	31x39x215
8	09400-40301	CLAMP	2	2	2	2	2	from 09400-00013 to 09400-40401
9-1	17710-37010	PIPE, water inlet	1	1	1	1	-	from 17710-31010
9-2	17710-31011	PIPE, water inlet	-	-	-	-	1	
10	17780-31010	•CAP, radiator	1	1	1	1	1	
11	17715-31010	•HOSE, water over flow	1	1	1	1	1	
12	09329-01003	CUSHION	2	2	2	2	2	
13	09343-31003	HOSE	1	1	1	1	1	
14-1	09400-40301	CLAMP	2	2	2	2	2	from 94000-00013 to 09400-40401
14-2	09400-40401	CLAMP	2	2	2	2	2	
15	17700-31813	RADIATOR SET	1	-	-	-	-	to 17700-31830
16	17700-31830	RADIATOR SET	-	1	1	1	1	
17	09160-08002	•WASHER	AR (2 ~ 4)					8.5x29x1.6
18	09160-08006	•WASHER	AR (0 ~ 2)					8.5x29x2
19-1	09343-31002	HOSE	1	1	1	1	1	31x29x160 to 09343-31001
19-2	09343-31001	HOSE	1	1	1	1	1	31x39x215
20-1	09400-40301	CLAMP	2	2	2	2	2	from 09400-00013 to 09400-40401
20-2	09400-40401	CLAMP	2	2	2	2	2	
21	17854-31000	CONNECTOR, water inlet	1	1	1	1	1	

D9

FIG.18 RADIATOR

REVOC ROTATOR 21.217

Ref.No.	Part No.	Description	Q'ty					Remarks
			K	L	M	A	B	
22	17855-31000	GASKET, inlet connector	1	1	1	1	1	
23	02112-06258	SCREW	4	4	4	4	4	
24	08321-21068	LOCK WASHER	4	4	4	4	4	
25	09111-08010	BOLT	2	2	2	2	2	
26	09180-08050	SPACER	2	2	2	2	2	8.6x13.8x9
27	09320-13005	CUSHION	2	2	2	2	2	
28	17760-31600	COVER, radiator side	2	-	-	-	-	
29	08311-11058	NUT	4	-	-	-	-	
30	08322-11058	WASHER	4	-	-	-	-	
31	08321-21058	LOCK WASHER	4	-	-	-	-	



D10