

FIG. 17 RADIATOR SUB TANK

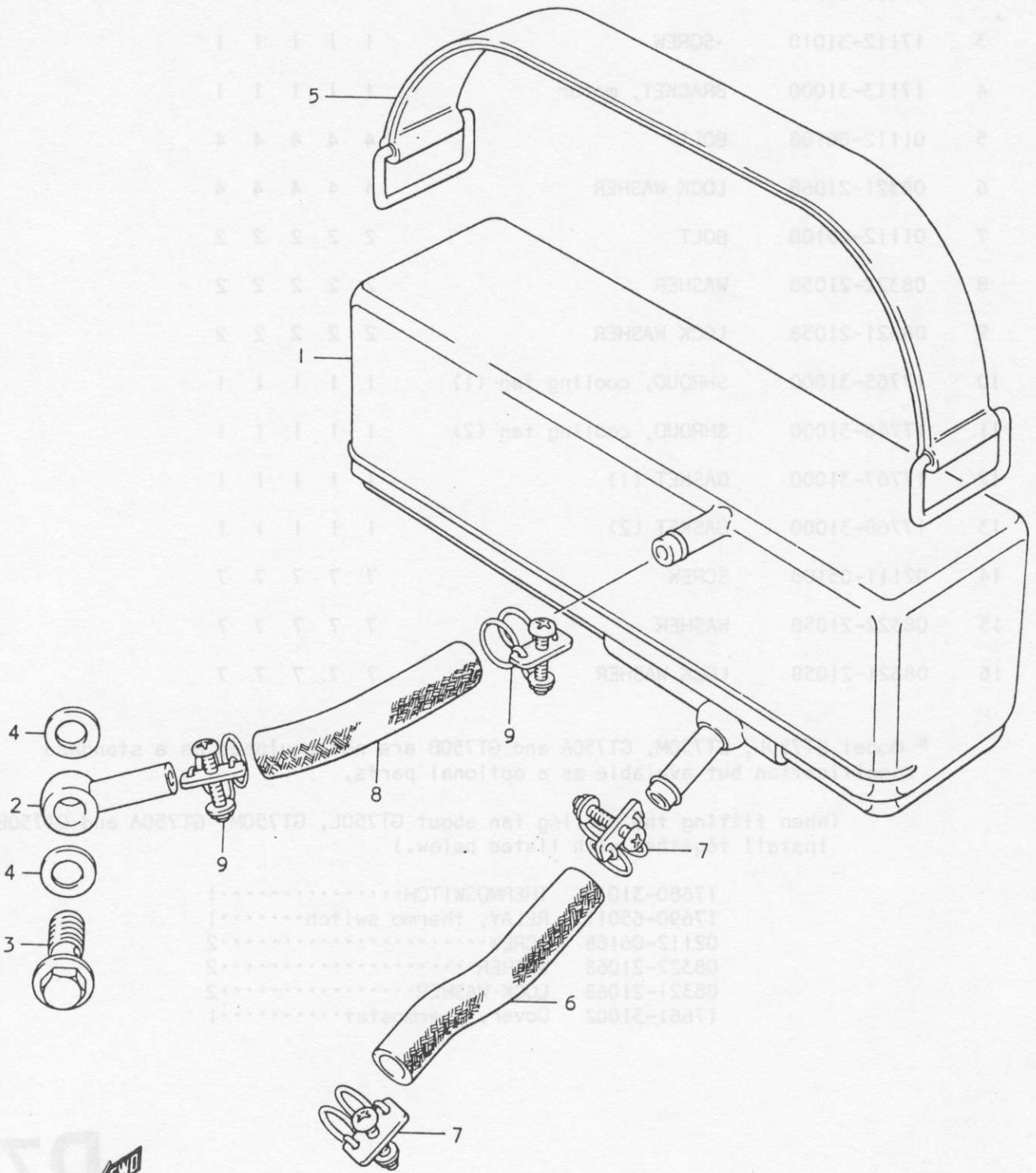
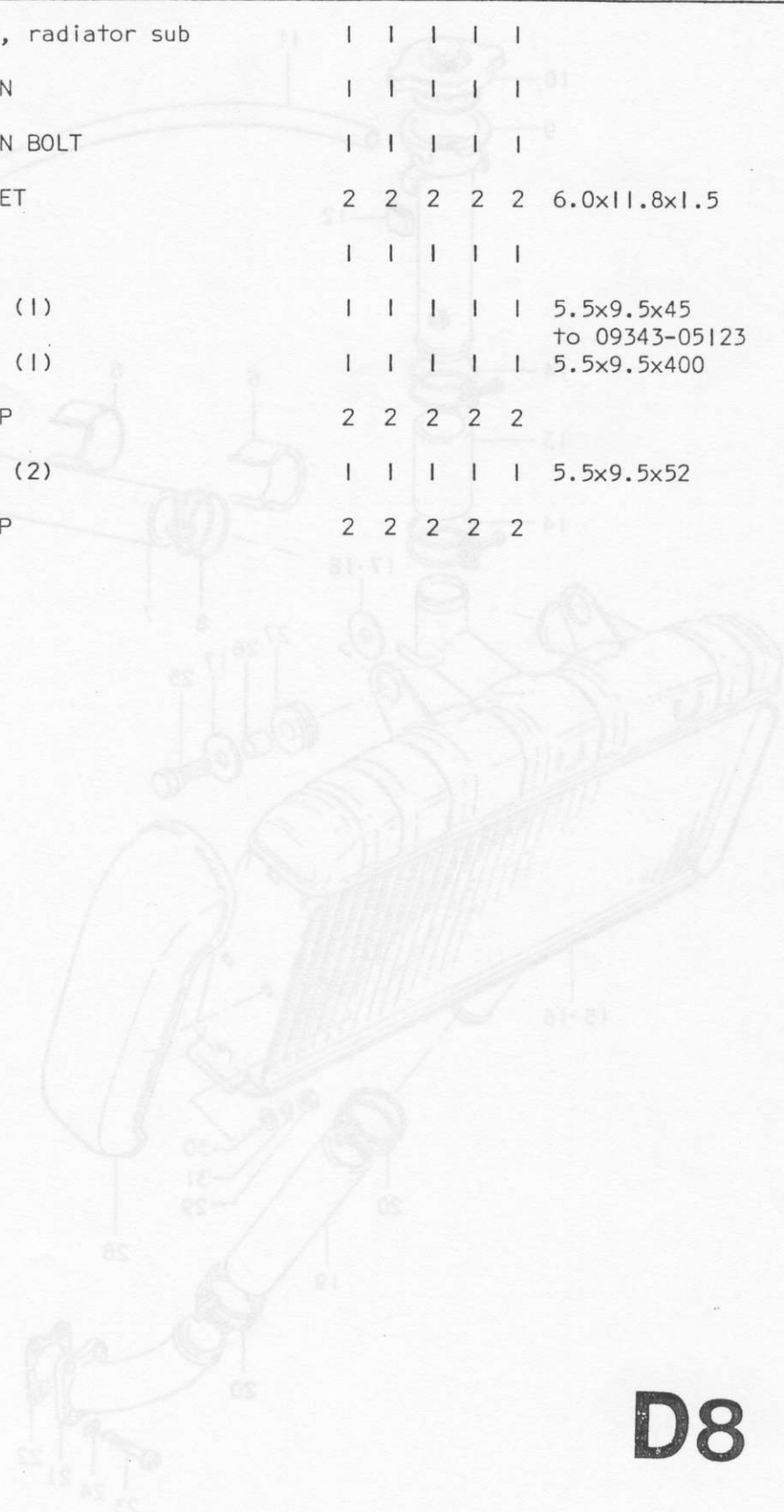


FIG.17 RADIATOR SUB TANK

ROTATION 97-317

Ref.No.	Part No.	Description	Q'ty					Remarks
			K	L	M	A	B	
1	17721-31000	TANK, radiator sub	1	1	1	1	1	
2	09363-06006	UNION	1	1	1	1	1	
3	09360-06003	UNION BOLT	1	1	1	1	1	
4	09168-06002	GASKET	2	2	2	2	2	6.0x11.8x1.5
5	09462-00051	BAND	1	1	1	1	1	
6-1	09343-05086	HOSE (1)	1	1	1	1	1	5.5x9.5x45 to 09343-05123
6-2	09343-05123	HOSE (1)	1	1	1	1	1	5.5x9.5x400
7	09400-10301	CLAMP	2	2	2	2	2	
8	09343-05087	HOSE (2)	1	1	1	1	1	5.5x9.5x52
9	09400-10301	CLAMP	2	2	2	2	2	



D8