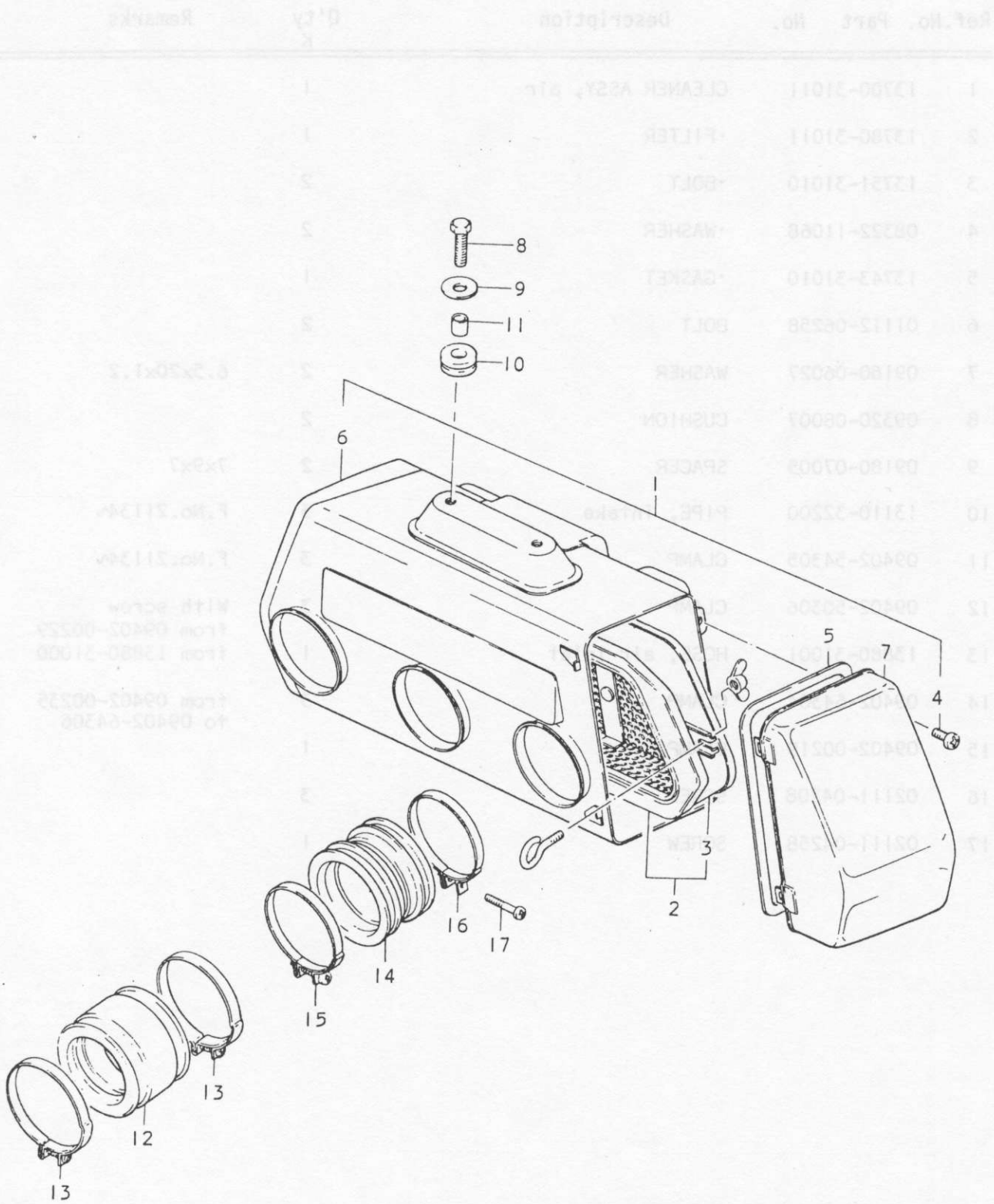


FIG. 10 AIR CLEANER (GT750L,M,A & B)



Ref. No.	Part No.	Description	Qty	Remarks
1	13700-21011	CLEANER ASSY, AIR	1	
2	13780-21011	FILTER	1	
3	12751-21010	BOLT	2	
4	08332-11088	WASHER	2	
5	12743-21010	GASKET	1	
6	01112-06288	BOLT	2	
7	09180-06027	WASHER	2	
8	09320-08003	CUSHION	2	
9	09180-07003	SPACER	2	
10	13110-22500	PIPE	1	
11	09402-24300	CLAMP	2	
12	09320-23306	CUSHION	2	
13	13700-21011	CLEANER ASSY, AIR	1	
14	09402-00232	TO 09402-CA206	1	
15	09402-00232	TO 09402-CA206	1	
16	09402-00232	TO 09402-CA206	1	
17	09402-00232	TO 09402-CA206	1	

88  
 FWD

FIG.10 AIR CLEANER (GT750L,M,A & B)

Ref.No.	Part No.	Description	Q'ty				Remarks
			L	M	A	B	
1-1	13700-31211	CLEANER ASSY, air	1	-	-	-	to 13700-31212
1-2	13700-31212	CLEANER ASSY, air	-	1	1	-	
1-3	13700-31213	CLEANER ASSY, air	-	-	-	1	
2	13780-31210	•FILTER	1	1	1	1	
3	13781-31210	••ELEMENT	1	1	1	1	
4	02111-05108	•SCREW	2	2	2	2	
5	13799-31210	•GASKET	1	1	1	1	
6	13760-31210	•COVER, side RH	-	1	1	1	
7	13770-31210	•COVER, side LH	-	1	1	1	
8	01112-06208	BOLT	2	2	2	2	
9	09160-06027	WASHER	2	2	2	2	6.5x20x1.2
10	09320-08007	CUSHION	2	2	2	2	
11	09180-07005	SPACER	2	2	2	2	7x9x7
12	13111-31201	PIPE, intake	3	3	3	3	
13	09402-58306	CLAMP	6	6	6	6	
14	13881-31201	HOSE, air inlet	3	3	3	3	from 13881-31200
15	09402-62306	CLAMP	3	3	3	3	from 09402-62304
16	09402-66306	CLAMP	3	3	3	3	
17	03211-04258	SCREW	3	3	3	6	

C9