



**DIGITAL
LED DISPLAY**

TDV



**COMPACT
SIZE
33x75 mm**



TDV 01

TDV 02

TDV 03

TDV 04

MECHANICAL CHARACTERISTICS

Housing	Self-extinguishing plastic, UL 94 V0		
Dimensions	33x75 mm– depth 64 mm		
Weight	100 g. approx.	90 g. approx.	100 g. approx.
Connections	2,5 mm ² screw terminal block		
Mounting	Flush in panel in 29x71 mm hole		
Front panel protection	IP 65 mounted in panel with gasket		

ELECTRICAL DATA

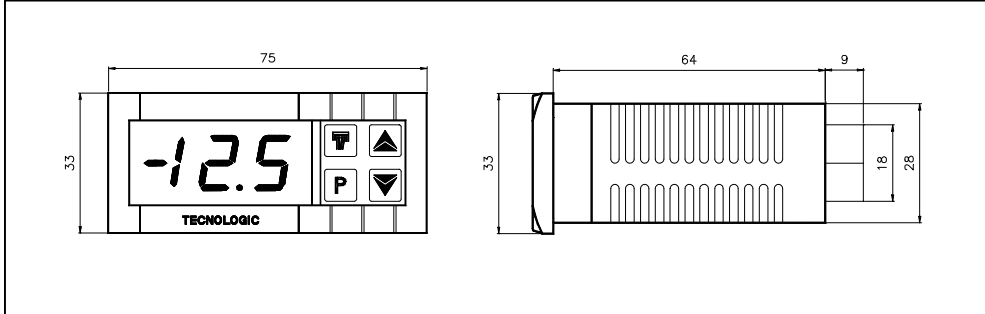
Power supply	12 VAC/DC +/- 10% 24, 115, 230 VAC +/- 10%	12, 24 VAC/DC +/- 10%	12 VAC/DC +/- 10%
AC Frequency	50 / 60 Hz		
Power consumption	3 VA approx.		

INPUT DATA

Thermistor	PTC KTY 81-121 (990 Ω at 25°C)		2x PTC KTY 81-121 (990 Ω at 25°C) or 2x NTC 103AT-2 (10 kΩ at 25°C)
Thermocouple	--	J, K, S According to IEC 584-2 accuracy class 1 or 2	--
Thermoresistance	--	Pt 100 According to IEC 751 accuracy class A or B Ni100	--
Analogue input	--	4...20 mA	4...20 mA 0...10 V
Digital input	--		1 for free voltage contact

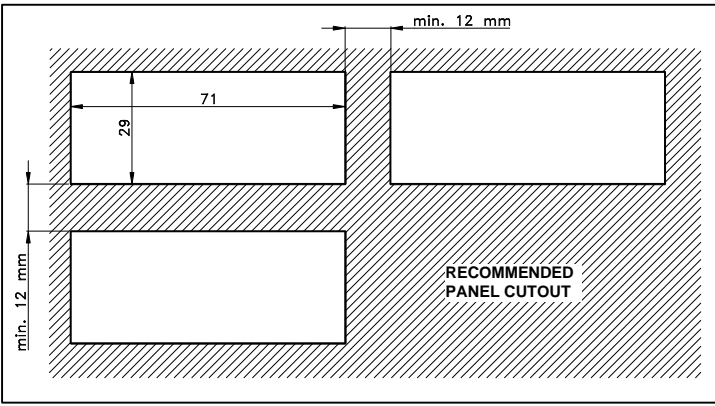
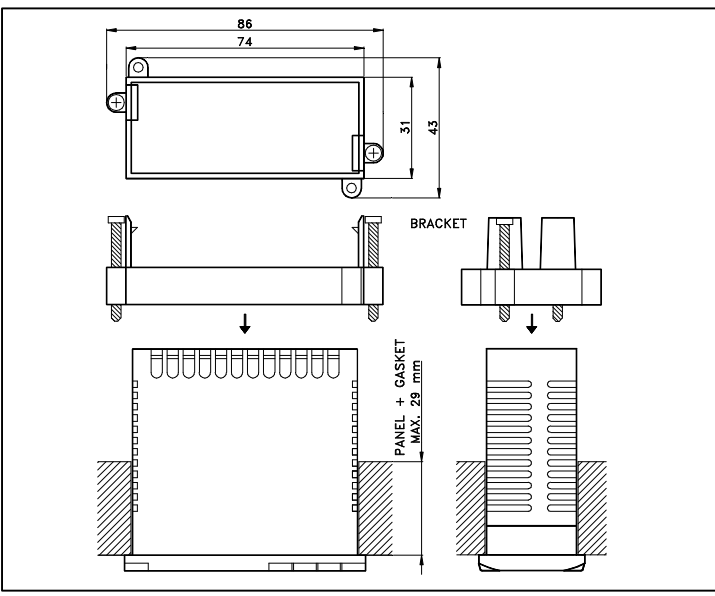
FUNCTIONAL DATA

Application	Temperature	Temperature Relative Humidity Pressure		Temperature
Overall accuracy	+/-0.5% full scale			
Display resolution	1°	According to the used probe 1/0.1	According to the used probe 1/0.1/5/0.5	1°
Measurement range	PTC = -50...+150°C	According to the used probe		PTC = -50...+150°C NTC = -50...+50°C
Measurement unit	°C		°C - °F, programmable	
Sampling rate	1 sample per second			2 samples per second
Display	2 red digit h=14 mm	3 red digit h=14 mm		2 ½ red digit h=14 mm
Serial communication	--		RS485 MODBUS-RTU (JBUS) protocol	
Acoustic alarm	--		Internal Buzzer	
Operating temperature	0...55°C			
Operating humidity	30...95 RH% without condensation			



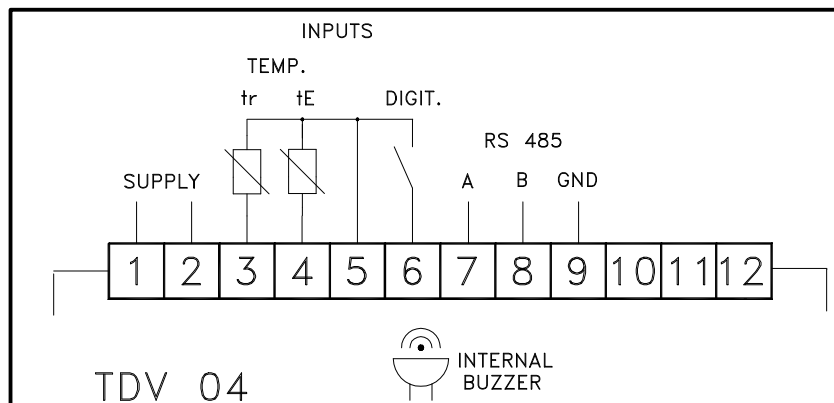
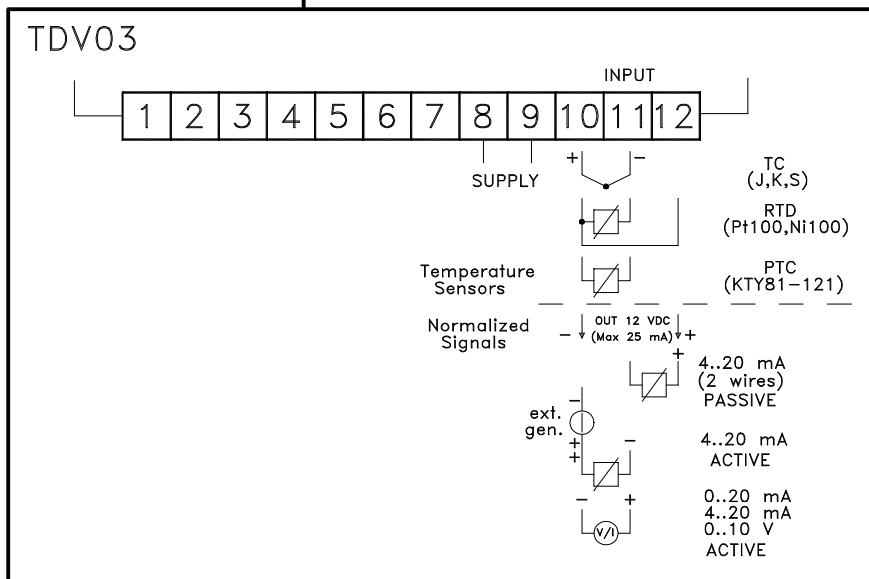
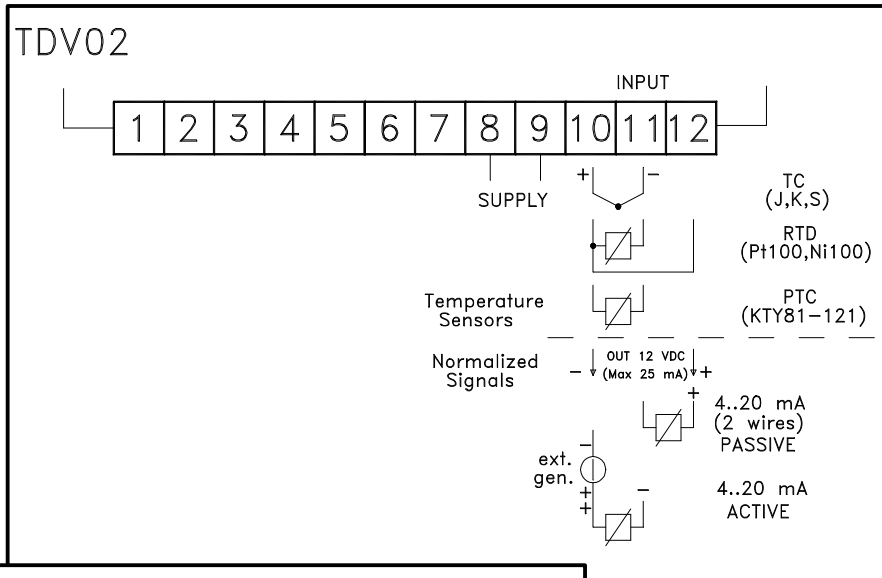
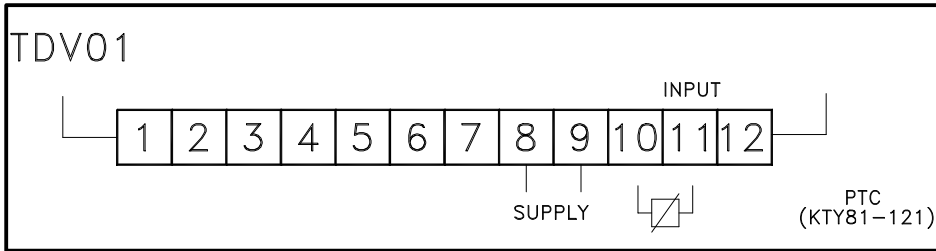
DIMENSIONS (mm)

PANEL FIXING TOOL



PANEL CUTOUT

CONNECTIONS DIAGRAMS



TDV 01		33 x 75
Description	C o d e s	Codes Description
Power supply	F	12 V AC/DC
	A	24 V AC
	D	230 VAC

TDV 02		33 x 75
Description	C o d e s	Codes Description
Power supply	F	12 V AC/DC
	G	24 V AC/DC
Input signal	E	Thermistor PTC
	F	4-20 mA
	J	Thermocouple J
	K	Thermocouple K
	S	Thermocouple S
	N	Thermoresistance Ni100
Decimal Point	P	Thermoresistance Pt100
	D	With decimal point
Factory pre-setted limits for 4-20 mA input type	-	Without decimal point
	05	Limits for TRH10 input
	06	Limits for TRH11/12 input
	07	Limits for TPR01 input
	08	Limits for TPR02 input
	--	Other limits on request

HOW TO ORDER

TDV 03		33 x 75
Description	C o d e s	Codes Description
Power supply	F	12 V AC/DC
	G	24 V AC/DC
Input signal	C	Thermocouples J-K-S
	D	RTD Pt100-Ni100
	E	Thermistor PTC
	F	4-20 mA
	V	0-10 V

TDV 04		33 x 75
Description	C o d e s	Codes Description
Input signal	P	PTC
	N	NTC
Acoustic alarm	B	With internal Buzzer
	-	None