



DIGITAL COUNTERS

TC



MULTIFUNCTION
MULTIFREQUENCY

33x75 mm
48x48 mm
72x72 mm



TC 34

TC 49

TC 73

MECHANICAL CHARACTERISTICS

Housing	Self-extinguishing plastic, UL 94 V0		
Dimensions	33x75x64 mm	48x48x98 mm	72x72x96 mm
Weight	175 g.	200 g.	270 g.
Connections	2,5 mm ² screw terminal block		
Mounting	Panel Cutout 29x71 mm	Panel Cutout 45,5x45,5 mm	Panel Cutout 66,5x66,5 mm
Front panel protection	IP 65 mounted in panel with gasket	IP 54 mounted in panel with gasket	

ELECTRICAL DATA

Power supply	12 VAC/DC, 24, 115, 230 VAC +/-10%		
AC Frequency	50 / 60 Hz		
Power consumption	3 VA approx.		

INPUT DATA

Digital input	2 inputs for free voltage contacts or 2 inputs for voltage signals (same as power supply)		
Reset time delay	15 msec. max		
Voltage input consumption	1 mA max.		

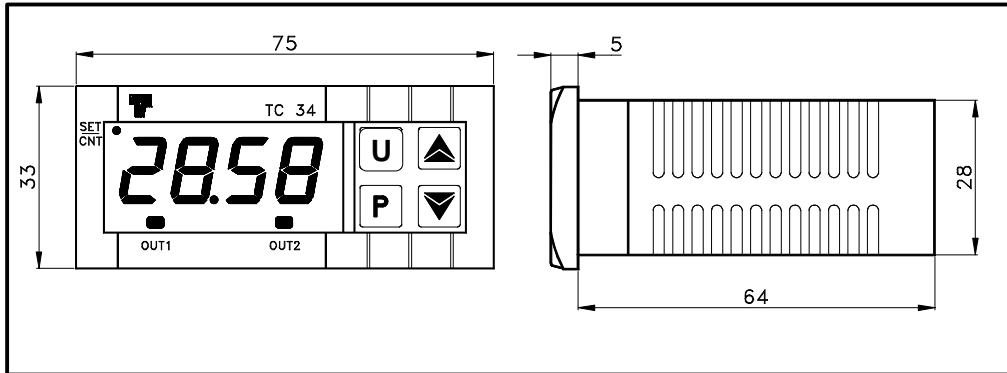
OUTPUT DATA

Relay	Up to 2 outputs SPDT (8 A-AC1, 3 A-AC3 / 250 VAC)		
Relay electric life	100000 operations		
Voltage for SSR driving	Up to 2 outputs 12 VDC / 15 mA		
Auxiliary power supply output	12 VDC / 20 mA		

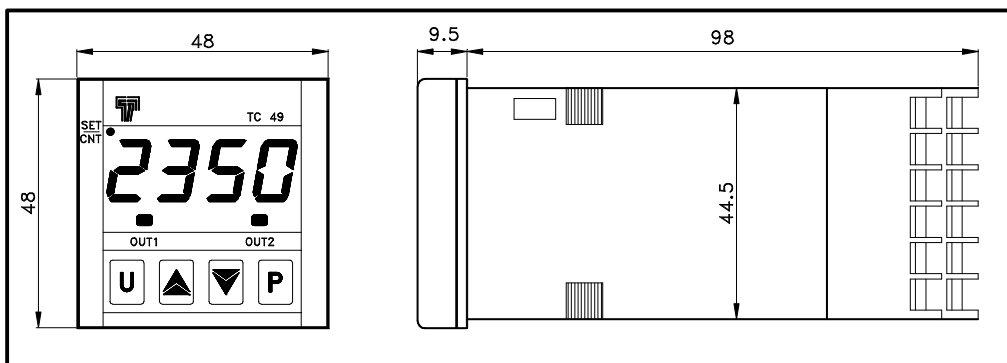
FUNCTIONAL DATA

Programmable functions	Restart – Restart/Lap - Count		
Programmable Counting frequency	Programmable with 2 - 10 - 40 - 125 - 1000 Hz		
Counting mode	UP or DOWN		
Display resolution	9999		
Counting memory	Programmable back-up function in case of power supply failure		
Display	4 red digit h=12 mm	4 red digit h=12 mm	
Operating temperature	0...55°C		
Operating humidity	30...95 RH% without condensation		

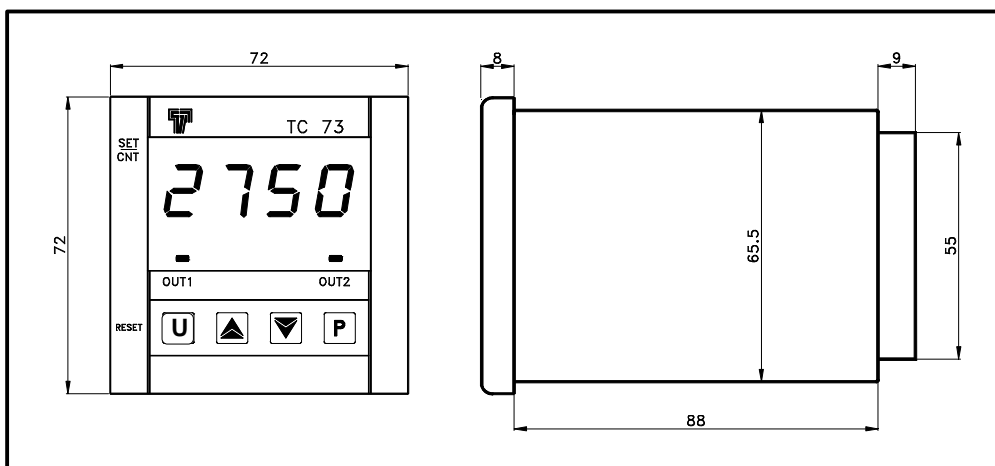
DIMENSIONS (mm)



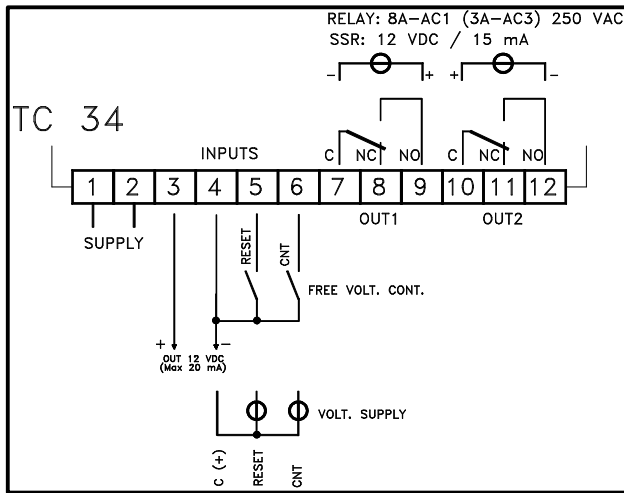
TC 34



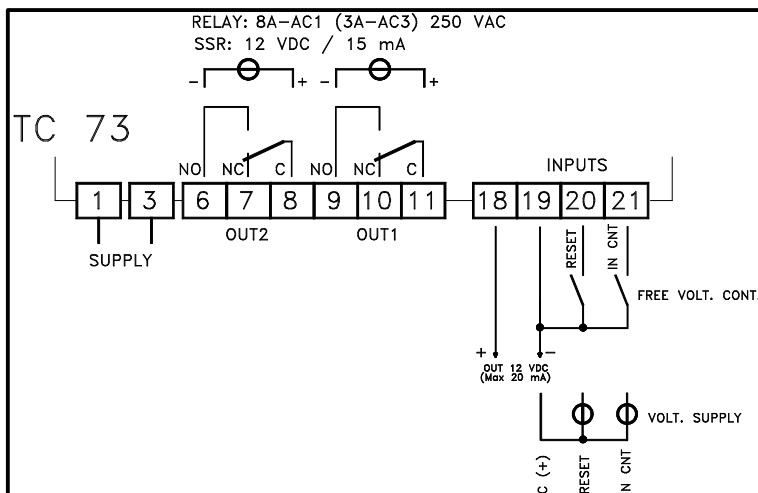
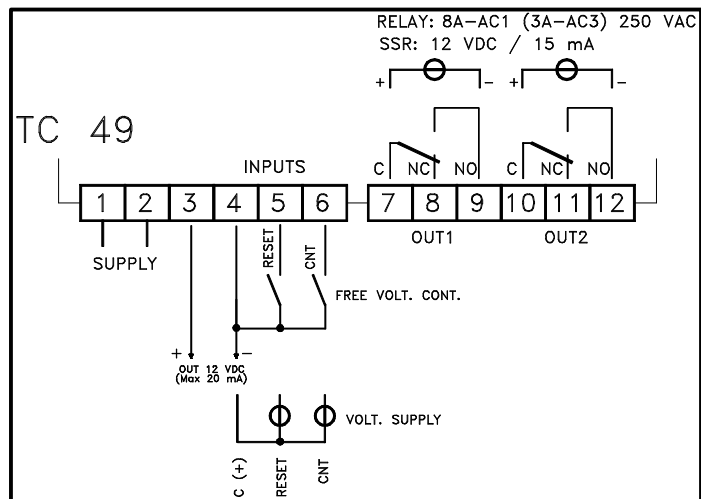
TC 49



TC 73



CONNECTIONS DIAGRAMS



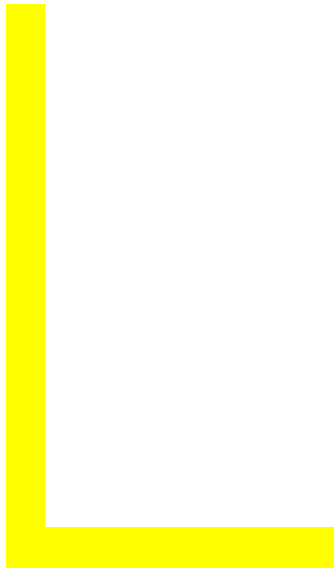


DIGITAL COUNTERS

TC

TC 34	33 x 75	
Description	Codes	Codes Description
Power supply	F	12 VAC
	A	24 VAC
	C	110 VAC
	D	230 VAC
Inputs	V	Voltage
	C	Free-voltage contacts
Output OUT1	R	Relay
	O	12 VDC for SSR
Output OUT2	R	Relay
	O	12 VDC for SSR
	-	Not present

HOW TO ORDER



TC 49	48 x 48 (1/16 DIN)	
TC 73	72 x 72	
Description	Codes	Codes Description
Power supply	F	12 VAC
	Y	24 VDC
	A	24 VAC
	C	110 VAC
	D	230 VAC
Inputs	V	Voltage
	C	Free-voltage contacts
Output OUT1	R	Relay
	O	12 VDC for SSR
Output OUT2	R	Relay
	O	12 VDC for SSR
	-	Not present