

Bargraphs

vertical or horizontal format

Customer item no.:

Customer ID name:

General:

Electronic measuring instrument with band of light emitting diodes (individual LEDs)

Operation independent of orientation and insensitive to vibration

LED display 41 LED 2 x 5 med mer, red, yellow, green

Brightness adjustable by external voltage control

Measuring range adjustable Adjustable span

Single-line

point or bar type display (DIP switch)

Centre zero

Manufactured by GOSSEN Müller & Weigert, Nürnberg



Specification:

Bar graph (analogue display):

Overflow: flashing

Scale length: 80 mm

Resolution: 2,50 %

Adjust time (0 -99 %): < 100ms

Auxiliary supply: 5 V +5% DC, not galvanically isolated
24 V DC (18...36V), 120mA/30mA band/point

Testing voltage for 24V DC version: Mess input-U Aux 500V

Operating temperature 0 ... +50 °C

Storage temperature -40 °C ... +80 °C

Accuracy 1%, Resolution 2,5%

Measuring range:

0...150mV/1 V/10 V/100 V/200 V DC

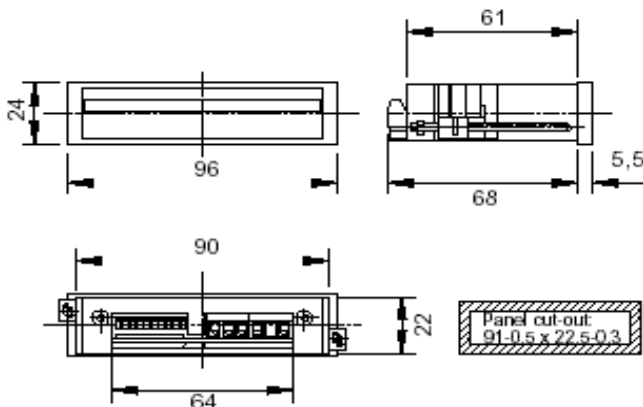
0...1mA, 0...20 mA, 4...20 mA DC

Overload: current: 5X continual
voltage: 10X, max 200V

Zero adjustment

Full-scale adjustment (25%)

Dimension drawings:



Dimensions:

Bezel size: 96 x 24 mm

Depth: 68 mm

Panel cut out: 91 x 22.5 mm