

The DIGEM 144 x 72 C5 is suited for applications that require more than two limit values, or where simultaneous use of outputs and interfaces is necessary.

The modular measuring input can be equipped for the following measuring tasks:

- ❖ Direct current and voltage measurements
- ❖ Alternating current and voltage measurements
- ❖ Temperature measurements
- ❖ Frequency and RPM measurements
- ❖ Pulse counter
- ❖ Display in  $\cos \varphi$
- ❖ Non-linear input quantities

The MESSCONTACTER model allows for the configuration of four limit values. Alarm messages are read out via four relays. Alarms are also signalled with LED's.

Additional features of this model include:

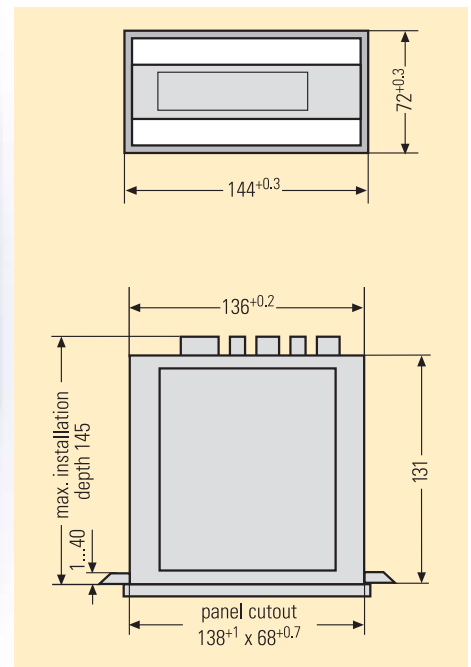
- ❖ Adjustable switching hysteresis
- ❖ Adjustable limit value time delay
- ❖ Storage of an alarm message to memory
- ❖ Front panel dimensions: 144 x 72 mm
- ❖ Red or green LED display
- ❖ Display range:  $\pm 19\,999$  digits for current and voltage measurement

## DIGEM 144 x 72 C5

### Digital Indicator with Limit Value and LED Display

#### Type A1005

- ❖ Adaptation to customer specific characteristic
- ❖ Modular connectors for flexible use
- ❖ Calibration and special functions can be selected with keys
- ❖ Power supply electrically isolated from measuring circuit
- ❖ IP 54 protection at front panel
- ❖ Up to 4 limit values
- ❖ Analog output (option)
- ❖ BCD output (option)
- ❖ RS232 and RS485 (option) interface
- ❖ Suitable for installation into grid systems



## Characteristic Values, DIGEM 144 x 72 C5

### Display

Type	7 Segment LED
Display Colour	red, optionally green
Character Height	approx. 20 mm
Display Range	max. $\pm 19\,999$
Polarity	"—" is displayed automatically
Decimal Point	programmable
Overflow Display	blinking – top dash

### Measuring Ranges

Direct Voltage	$\pm 200$ mV to $\pm 300$ V
Direct Current	$\pm 2$ mA to $\pm 200$ mA $\pm 1$ A; $\pm 2$ A 0 ... 20 mA; 4 ... 20 mA
Alternating Voltage	0 ... 500 V
Alternating Current	0 ... 200 mA

TRMS Voltage	0 ... 500 V
TRMS Current	0 ... 200 mA; 0 ... 1 A / 5 A
Crest Factor	6 (additionally 0,5 % of Measurement value)
Temperature	Pt100 – 200 ... + 800 °C – 328 ... + 1 473 °F
Resistance	0 ... 10 000 $\Omega$
Frequency	0 ... 200,00 kHz
Resolution	max. 0,1 Hz
Pulse Counter	up-counter, down-counter

### Interface

Limit value: max. 4 relays
Analog output (optionally)
BCD or analog
Serial Interface (optionally)
RS232 or RS485

### Power Supply

230 V AC 50 / 60 Hz
115 V AC 50 / 60 Hz
18 ... 36 V DC / 24 V AC

### Ambient Conditions

Operating Temperature	0 ... + 50 °C
Storage Temperature	– 20 ... + 70 °C
Relative Humidity	max. 85 %
Contamination Level	2
Overvoltage Category	II

### Casing

Protection	front panel: IP 54 rear panel: IP 20
Bezel	black
Weight	0.8 kg
Installation	screw clamp
Terminals	screw terminal blocks