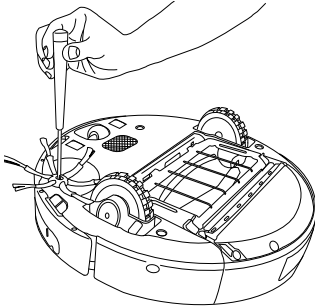


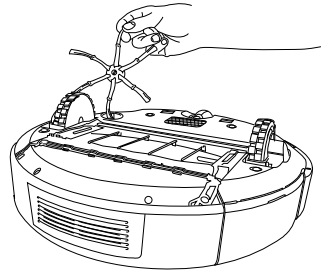
# **iRobot** Roomba Battery

## How to install your new Battery

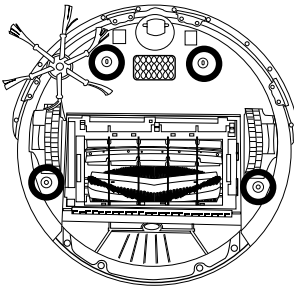
- 1** Remove Roomba's side brush screw.



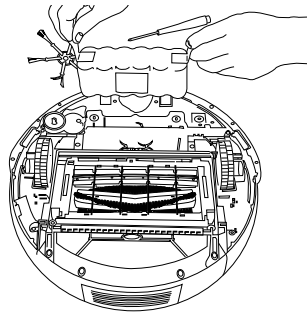
- 2** Remove Roomba's side brush.



- 3** Unscrew the four screws shown below and remove Roomba's bottom cover.



- 4** Remove Roomba's Battery.



- 5** Install Roomba's new battery.

- 6** Replace Roomba's bottom cover and the 4 screws that retain the bottom cover.

- 7** Replace Roomba's side brush and side brush screw.

For further assistance, please visit the Customer Support section of our website at [www.irobot.com](http://www.irobot.com).